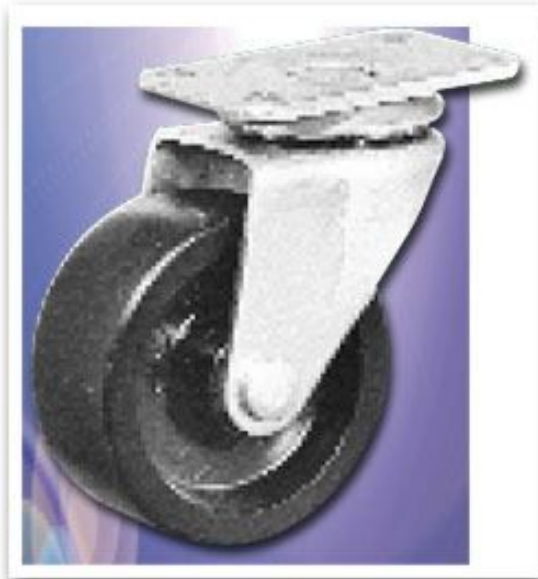


Accessories - Casters/Levelers  
**Extra Heavy Duty  
 Casters**



***Design Features***

Extra-heavy-duty, for use on Bud open and enclosed cabinet racks. Ball-bearing wheels made of hard tread composition. Casters are sold in pairs with all necessary mounting hardware included

[Click on Image for Larger View](#)

Casters				
Catalog No.		Height	Load Rating Ea. Lbs.	Weight Lbs.
RC-7758-PR		3.25"	200	2
RC-7764-PR		3.50"	550	3

**BUD INDUSTRIES INC.**

**P.O. Box 998**

**Willoughby, Ohio 44094**

**Phone: 440-946-3200 Fax: 440-951-4015**

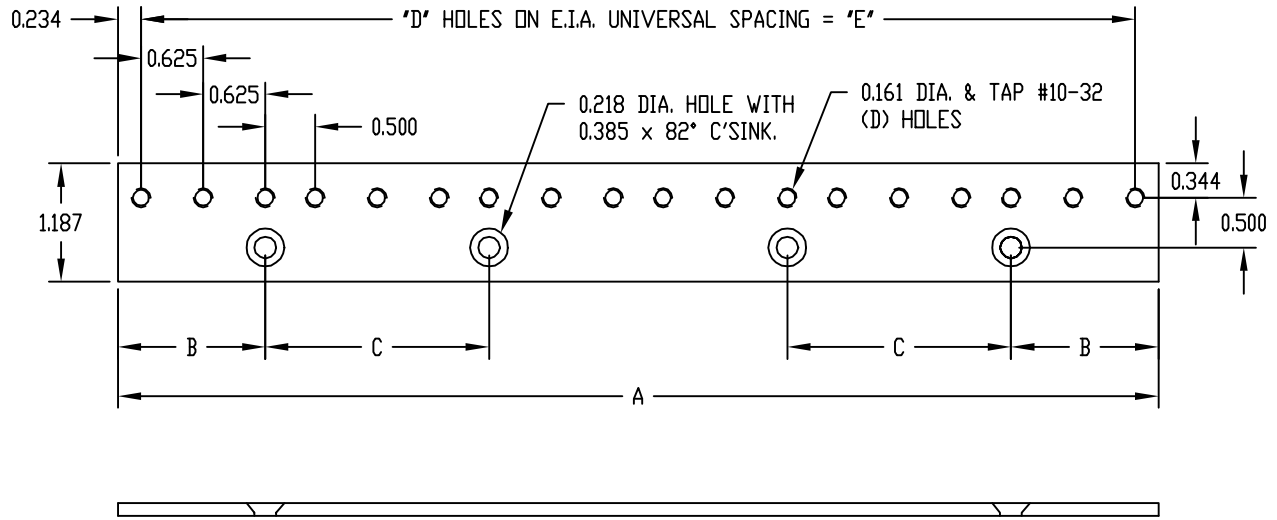
**E-Mail: [saleseast@budind.com](mailto:saleseast@budind.com)**

PART NAME

ADAPTER BRACKET

PART No.

AB-1861 TO AB-1866



MATERIAL: 11 GA. STEEL

FINISH: SMOOTH BLACK

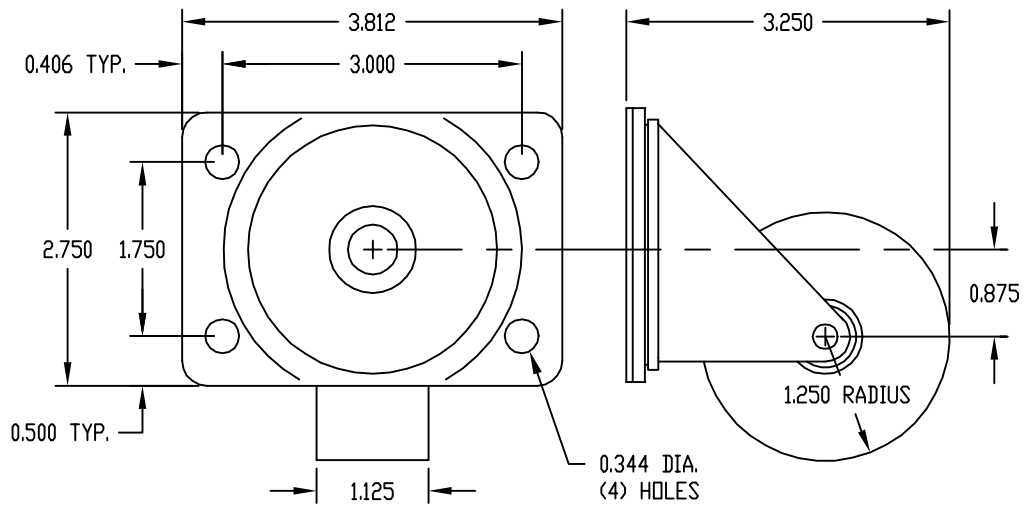
PART No	A	B	C	D	E
1866-AB	10.468	1.484	2.250	18	10.000
1865-AB	8.718	1.484	—	15	8.250
1864-AB	6.968	1.484	—	12	6.500
1863-AB	5.218	1.484	—	9	4.750
1862-AB	3.468	0.234	—	6	3.000
1861-AB	1.718	0.234	—	3	1.250

PART NAME

CASTERS

PART No.

RC-7758



LOAD RATING:  
200LBS. EACH  
WHEELS ARE OF HARD COMPOSITION  
& SELF LUBRICATING

SWIVEL RADIUS: 2.125